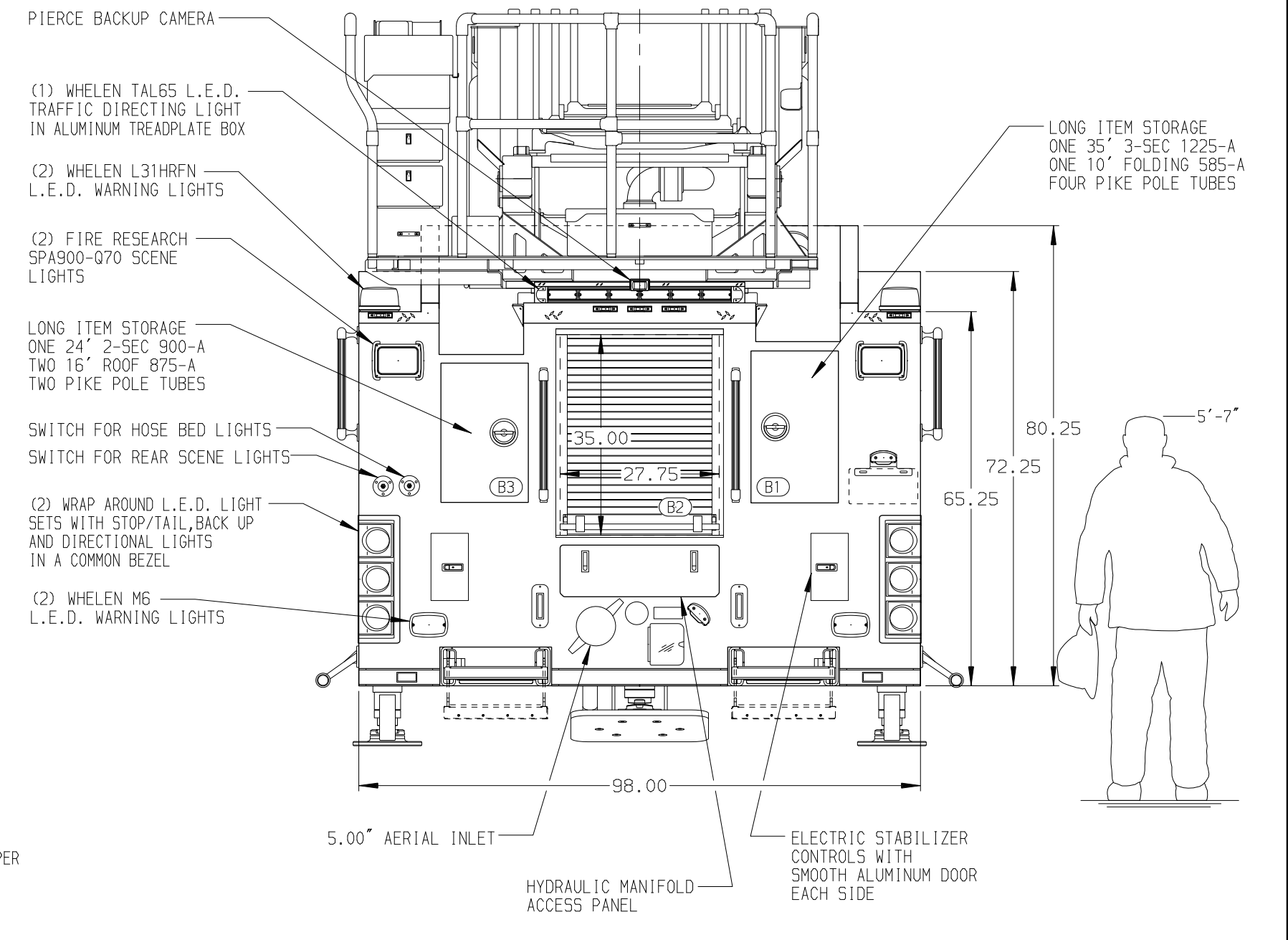
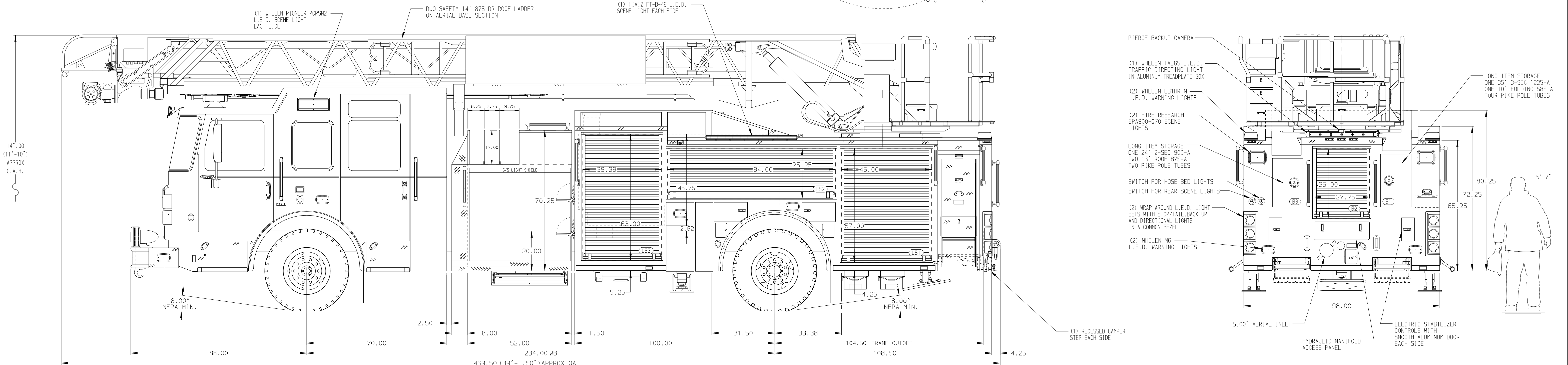


<p><b>BODY</b> 107' ASL Aluminum Body</p> <p><b>COMPT, LEFT SIDE FRONT</b> Full Height RollUp Forward</p> <p><b>COMPT, LEFT SIDE REAR</b> Full Height RollUp Rearward</p> <p><b>COMPT, RIGHT SIDE FRONT</b> Full Height RollUp Forward</p> <p><b>COMPT, RIGHT SIDE REAR</b> Full Height RollUp Rearward</p>	<p><b>WATER TANK</b> 500 Gallon Poly Water Tank</p> <p><b>Foam System</b> Plumbing for Future Husky Foam System</p> <p><b>Foam Cell</b> 20 Gallon Foam Cell, Non Reduced Water</p>
---	--



<p><b>CHASSIS</b> Enforcer Chassis 450 HP Cummins L9 Engine</p>	<p><b>CAB</b> 7010 Enforcer Notched Cab 19\"/&gt; </p>	<p><b>AXLE, FRONT, CUSTOM</b> 22,800 Lb TAK-4 Axle</p> <p><b>AXLE, REAR</b> 33,500 Lb Meritor Axle</p>	<p><b>TRANSMISSION</b> Allison 5th Gen, 3000 EVS P</p>	<p><b>PUMPHOUSE</b> 52\"/&gt; </p>	<p><b>CROSSLAYS, 1.50\"</b> (2) 1.50\" Standard Capacity</p> <p><b>CROSSLAYS, 2.50\"</b> (1) 2.50\" Standard Capacity</p>	<p><b>SPEEDLAYS</b> Speedlays Not Required</p> <p><b>GENERATOR</b> Generator Not Required</p>	<p><b>SAFETY</b> Side Roll and Frontal Impact Protection</p>	<p><b>CUSTOMER APPROVAL</b> APPROVED BY: _____ DATE: _____</p>	<p><b>Pierce MANUFACTURING INC.</b></p>	<p>JOB NO. 35447</p> <p>SCALE 1:24</p> <p>DATE</p>	
<p><b>NOTE</b> DIMENSIONS SHOWN ARE APPROXIMATE AND ARE SUBJECT TO MINOR DEVIATIONS AS MAY OCCUR OR BE NECESSARY IN CONSTRUCTION. MINOR DETAILS NOT SHOWN.</p>										<p>TITLE 107' ASCENDANT AERIAL LADDER AND BODY ASSEMBLY</p> <p>FOR PIERCE FIELD UNIT APPLETON, WI</p> <p>DWG NO. 35447AD</p>	<p>DRAWN BY TKA</p> <p>CHECKED BY THS</p> <p>SHEET SIZE D</p> <p>SHEET NO. 1 OF 1</p>