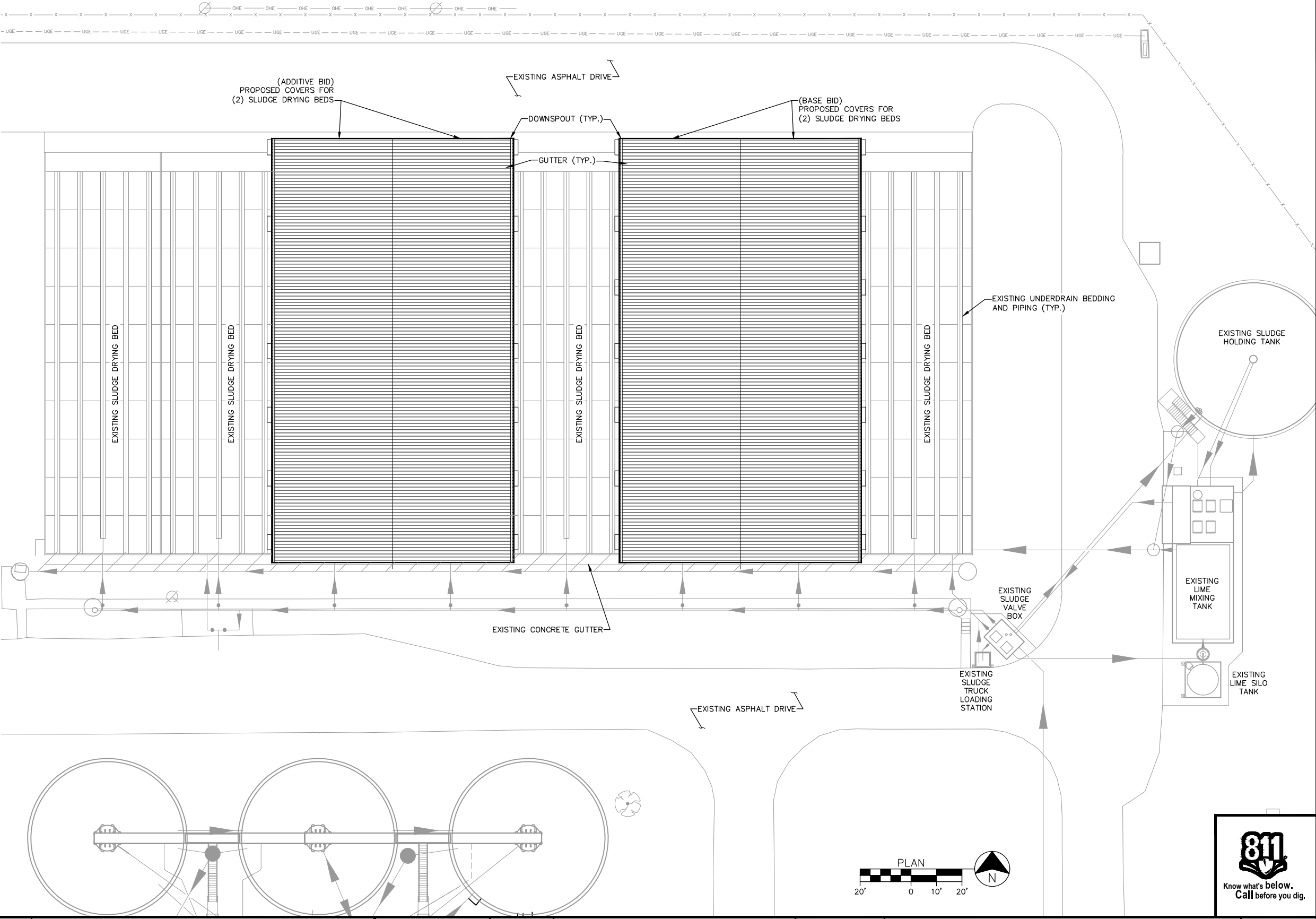


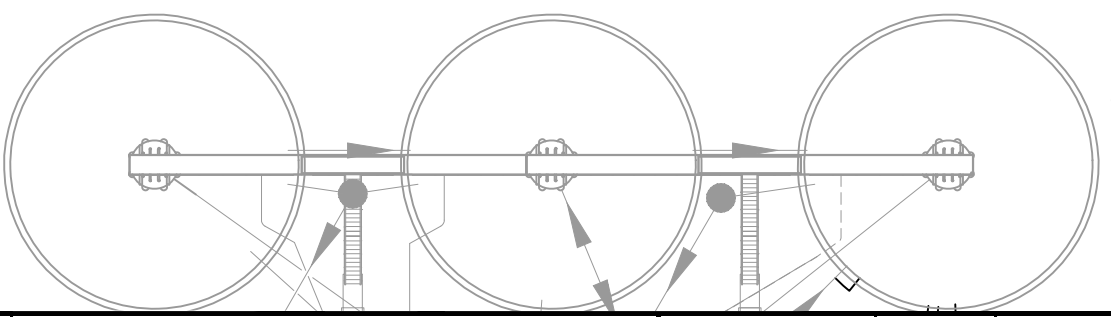
Z:\JOPLIN_MO\CITY OF JOPLIN\WASTEWATER\SHOAL CR WWTF DRYING BED COVERS\DRAWINGS\2 SLUDGE DRYING BED COVERS - SITE PLAN.DWG

BUILDING NOTES:

1. PRE-ENGINEERED METAL BUILDING (PEMB) DRAWINGS SHALL BE SUBMITTED TO ENGINEER FOR REVIEW.
2. ALL BOLTS FOR STRUCTURAL STEEL CONNECTIONS SHALL CONFORM TO ASTM F3125/A325 & SHALL BE HOT DIP GALVANIZED (H.D.G.) PER ASTM A153, SIZE AS SPECIFIED ON THE DRAWINGS.
3. BASE PLATE SIZE AND ANCHOR BOLT SIZE AND SPACING PER BUILDING MANUFACTURER.
4. FOOTING DESIGN BASED ON ASSUMED COLUMN REACTIONS. CONTRACTOR SHALL SUBMIT SEALED REACTIONS FROM PEMB MANUFACTURER FOR ENGINEER TO REVIEW AND VERIFY FOOTING DESIGN.
5. ADDITIONAL REINFORCEMENT SHALL BE PLACED AROUND ALL WALL OR FLOOR OPENINGS AND ALL PIPES &/OR STEEL SLEEVES CAST-IN-PLACE, PER REQUIREMENTS IN THE REINFORCEMENT NOTES AND DETAILS.
6. FOOTINGS AND WALLS SHALL BE CONSTRUCTED USING 4,000 psi (MIN.) COMPRESSIVE STRENGTH CONCRETE AT 28 DAY BREAK. ALL CONCRETE SHALL HAVE AIR CONTENT OF 5-8% WHEN PLACED.
7. ALL EXCAVATIONS INTENDED FOR PLACEMENT OF CONCRETE SHALL BE CLEAN AND FREE OF DEBRIS, LOOSE SOIL, OR STANDING WATER. NO FOOTING EXCAVATION SHALL BE OPENED WITHOUT HAVING REINFORCING STEEL AND CONCRETE READY TO BE PLACED WITHIN THAT WORKING DAY.
8. ALL FOOTINGS SHALL BEAR ON UNDISTURBED EARTH.
9. TRENCHING, FORMING, SHORING, AND BRACING REQUIRED TO PRODUCE A FINISHED PRODUCT CONFORMING TO THE DRAWINGS IS THE RESPONSIBILITY OF THE CONTRACTOR.
10. LOCATION OF UTILITIES MUST BE VERIFIED PRIOR TO EXCAVATION, CALL DIG RITE AS REQUIRED. PRESERVATION OF UTILITIES IS THE RESPONSIBILITY OF THE CONTRACTOR.
11. ALL REBAR USED IN WALLS, SLABS, AND FOOTINGS SHALL BE DEFORMED BARS CONFORMING TO ASTM A615 GRADE 60.
12. REINFORCEMENT SHALL BE SUPPORTED TO MAINTAIN CLEAR SPACE AS INDICATED ON DRAWINGS. ADDITIONAL CHAIRS, BLOCKS, OR STANDEES MAY BE REQUIRED.
13. REINFORCING SHALL RUN CONTINUOUS THROUGH COLUMN REINFORCING PEDESTALS.



CIVIL ENGINEER: BLAKE W. WATSON
 LICENSE NO. PE-2019000230



CITY OF **Joplin**

CITY OF JOPLIN, MISSOURI
 DEPT OF PUBLIC WORKS
 DIVISION OF ENGINEERING



ALLGEIER, MARTIN and ASSOCIATES, INC.
 CONSULTING ENGINEERS and SURVEYORS
 7231 EAST 24th STREET JOPLIN, MISSOURI 64804 (417) 680 - 7200

THIS DRAWING IS A DOCUMENT OF SERVICE AND IS THE PROPERTY OF ALLGEIER, MARTIN and ASSOCIATES, INC. THIS DOCUMENT SHALL NOT BE USED ON THIS OR OTHER PROJECTS WITHOUT THE WRITTEN CONSENT OF ALLGEIER, MARTIN and ASSOCIATES, INC.
 CERTIFICATE OF AUTHORITY
 MISSOURI NO. 000427

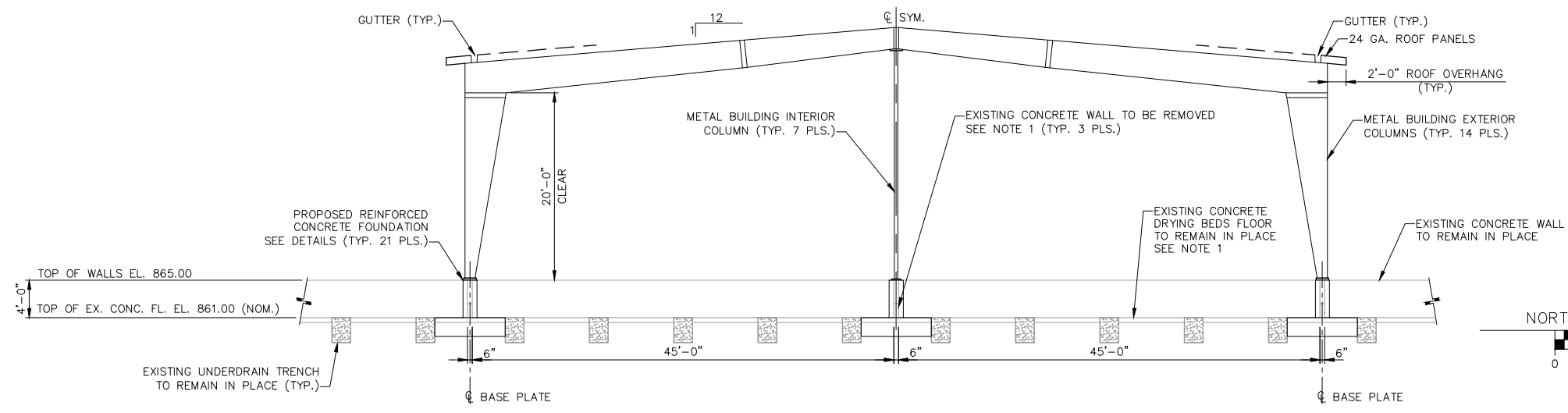
REV DATE:	REVISION:

DWN BY:	WBW
CKD BY:	BWW
APD BY:	BWW
DATE:	02/15/2022

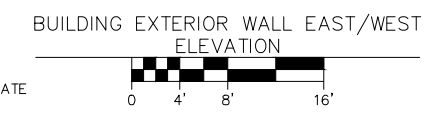
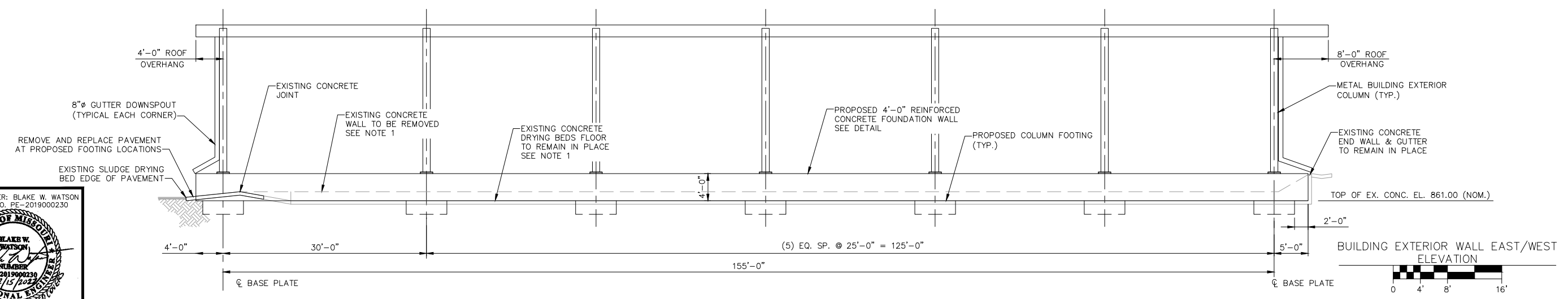
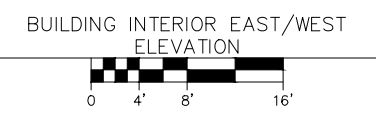
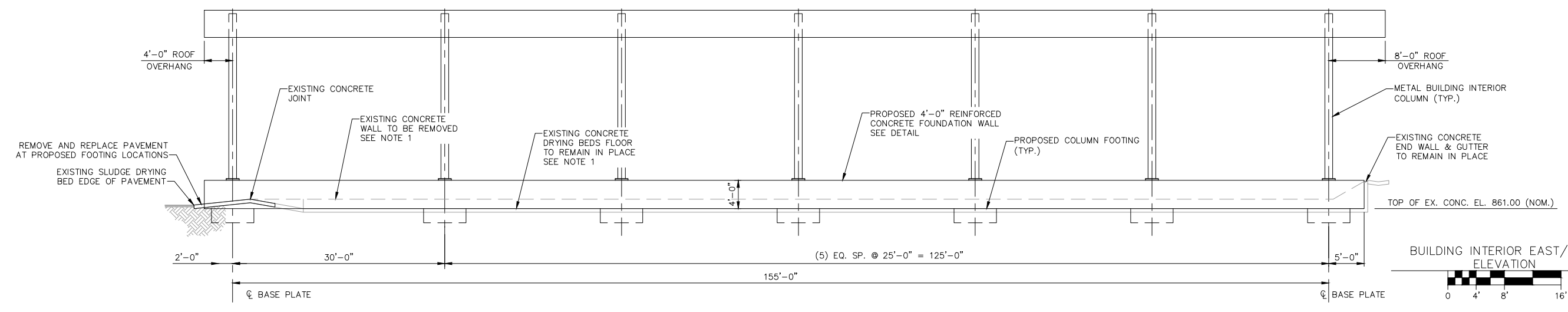
SHOAL CREEK WASTE WATER TREATMENT PLANT
 DRYING BED COVERS 2022
 SLUDGE DRYING BED COVERS - SITE PLAN

DWG. NO.
2

Z:\JOPLIN MO\CITY OF JOPLIN\WASTEWATER\SHOAL_CR_WWTF_DRYING BED COVERS\DRAWINGS\4-SLUDGE DRYING BED COVERS - BUILDING ELEVATIONS.DWG



- GENERAL NOTES:**
- A. CABLE DIAGONAL BRACING OCCURS ON SIDEWALL ONLY.
 - B. IF THE ADDITIVE BID IS CHOSEN BY THE CITY, THE ADDITIONAL BUILDING SHALL BE IDENTICAL.
 - C. STEEL REINFORCEMENT NOT SHOWN FOR CLARITY.
- NOTES:**
1. CONTRACTOR SHALL USE EXTREME CARE WHEN REMOVING EXISTING CONCRETE WALL AND FLOOR TO ENSURE REMAINING DRYING BED CONCRETE REMAINS INTACT AND UNDAMAGED. DAMAGED CONCRETE SHALL BE REPLACED AT CONTRACTOR'S EXPENSE.



CIVIL ENGINEER: BLAKE W. WATSON
LICENSE NO. PE-2019000230



CITY OF **Joplin**

CITY OF JOPLIN, MISSOURI
DEPT OF PUBLIC WORKS
DIVISION OF ENGINEERING

AM ALLGEIER, MARTIN and ASSOCIATES, INC.
CONSULTING ENGINEERS and SURVEYORS
7231 EAST 24th STREET JOPLIN, MISSOURI 64804 (417) 680 - 7200

THIS DRAWING IS A DOCUMENT OF SERVICE AND IS THE PROPERTY OF ALLGEIER, MARTIN AND ASSOCIATES, INC. THIS DOCUMENT SHALL NOT BE USED ON THIS OR OTHER PROJECTS WITHOUT THE WRITTEN CONSENT OF ALLGEIER, MARTIN AND ASSOCIATES, INC.
CERTIFICATE OF AUTHORITY MISSOURI NO. 000427

REV DATE:	REVISION:

DWN BY:	WBW
CKD BY:	BWW
APD BY:	BWW
DATE:	02/15/2022

SHOAL CREEK WASTE WATER TREATMENT PLANT
DRYING BED COVERS 2022
SLUDGE DRYING BED COVERS - BUILDING ELEVATIONS



DWG. NO.
4